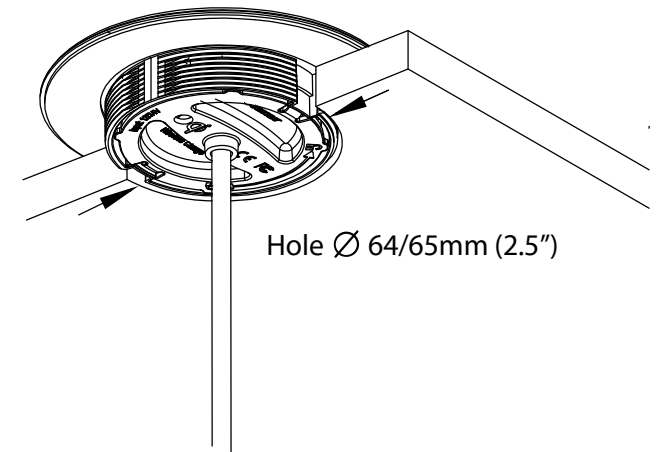
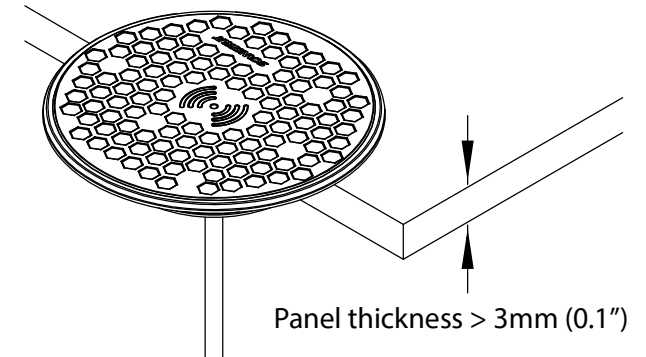
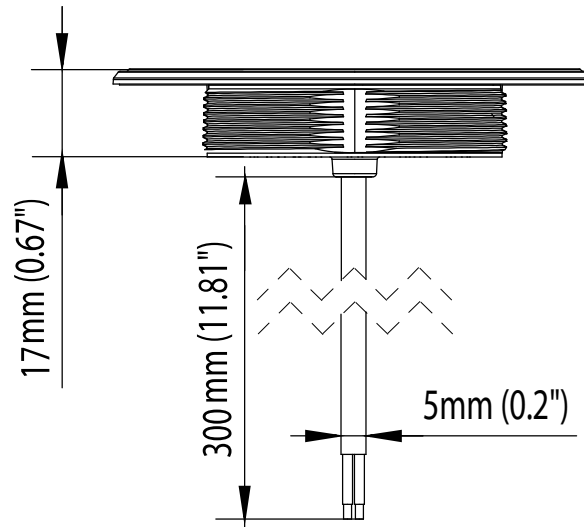
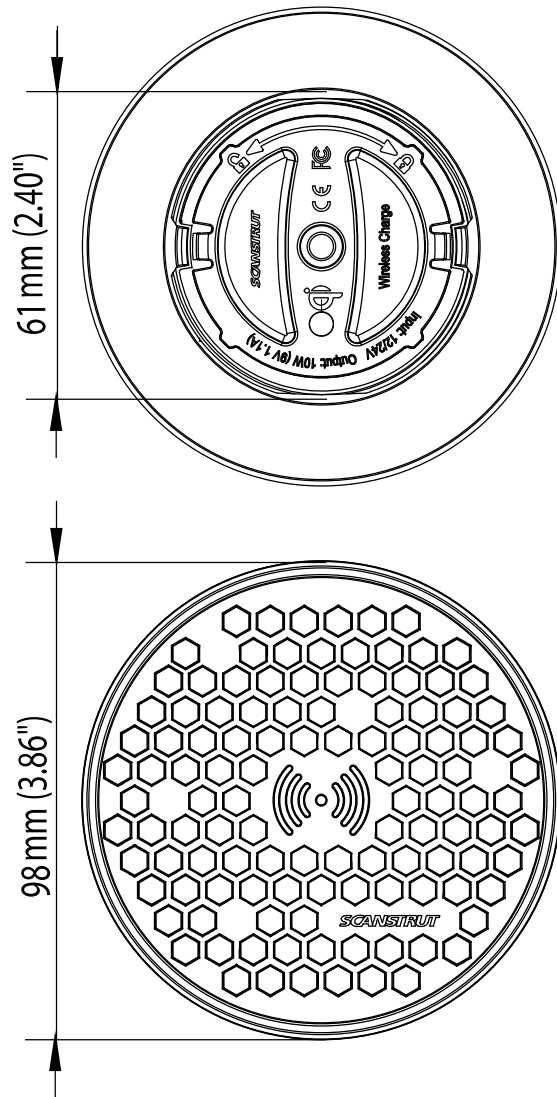


ROKK Wireless Surface 10W - SC-CW-02F

Email: sales@scanstrut.com Email: usasales@scanstrut.com



Electrical info:

- Input Voltage Range: 10-30V DC (12/24V system)
- Input current max: 2A
- Output Power: 10W (9V,1.1A)
- Standby Power Draw : < 0.1W
- Qi, CE, FCC, ROHS, C tick, UN ECE R10 Certified.

Waterproof Rating: IPX6

SCANSTRUT®